

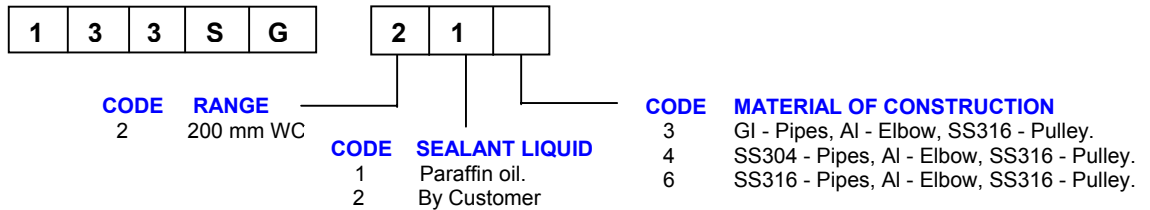


Liquid Seal Assembly With Sight Glass 133-SG

This accessory is a modified version of Liquid Seal Assembly, 133 LS used for Automatic Tank Level Gauge 133 (ATLG), and Open Scale Target reading Type Level Indicator, 131. The salient feature of 133SG is its sight glass, which helps to monitor the presence of sealant liquid in the Liquid Seal Assembly.

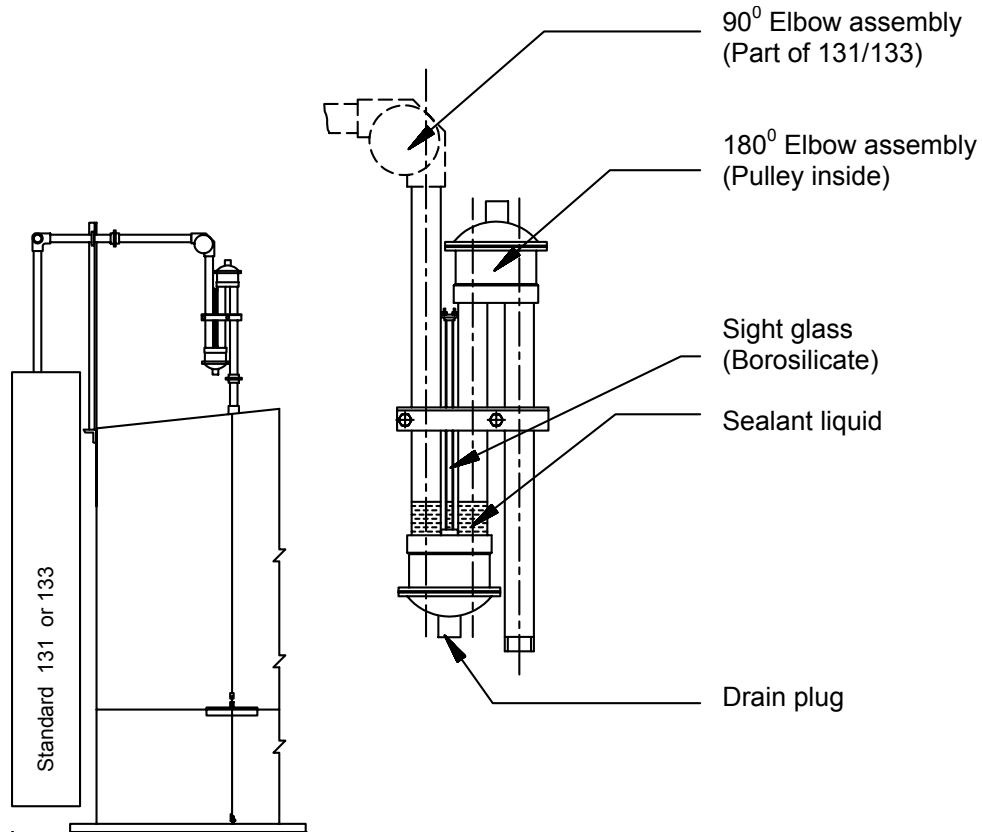
This assembly is available for pressure up to 200 mm of water column (WC).

ORDERING CODE



Notes: 1. The same process connection as the one ordered for the Tank Level Gauge / Target Type Level Indicator is applicable for this assembly also. When ordering Liquid Seal assembly as a retrofit, please specify existing process connection. Refer LF-131-0801 or LF-133-0801.

DRAWING



*** Continuous developments may necessitate changes without notice

LF-133-0812 R01 (W) 03/99



SBEM Pvt. Ltd.

39, Electronic Co-Operative Estate, Pune-Satara Road, Pune – 411 009 (INDIA)

Tel. 91-20-4220505, 4223375 Fax – 91-20-4215670

Email: sales@sbem.co.in, sbemsales@vsnl.com Web: www.sbem-india.com

Works: Bibwewadi Industrial Estate, 691/A/2, Pune-Satara Road, Pune-411 037(India) Email: mfg@sbem.co.in

Office	MUMBAI	CHENNAI	NEW DELHI	VADODARA
Tele.	91-22-2782 3601, 2782 3603	91-44-2445 1235, 2441 2947	91-11-2656 0647, 2696 9679	91-265-233 5196, 235 8184
Fax	91-22-2782 3603	91-44-2441 2947	91-11-2696 9679	91-265-233 0906
Email	mumbai@sbem.co.in	chennai@sbem.co.in	newdelhi@sbem.co.in	vadodara@sbem.co.in

