



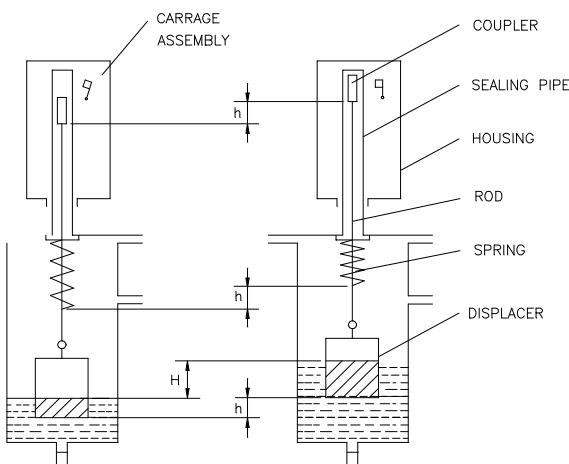
HIGH LEVEL SWITCH SERIES 137 L FOR LPG SPHERES, BULLETS & MOUNDED VESSELS

This Displacer Type Level switch from Series 137-L is specifically designed for LPG storage vessels. Set point adjustability over entire measuring range by adjusting displacer position and reliable operation are the salient attributes of this switch.

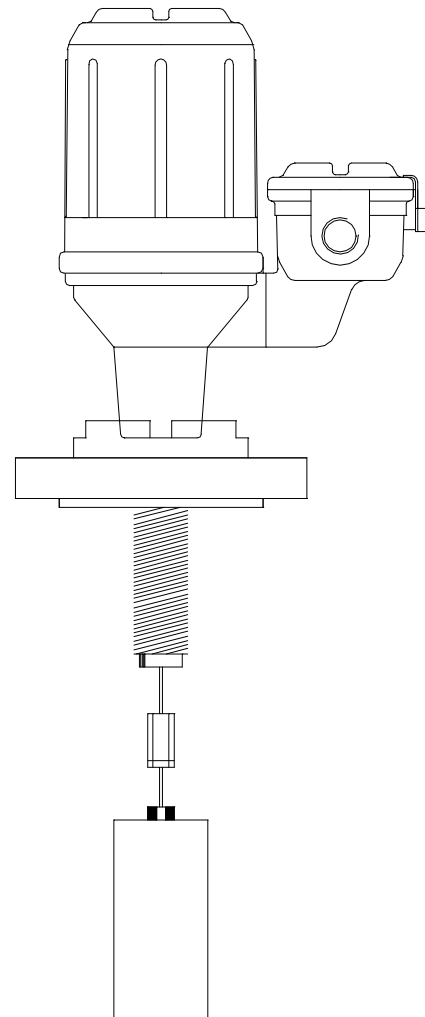
The pressurized part and electric compartment are perfectly isolated by magnetic coupling offers high reliability and safety.

SPECIFICATIONS

- Specific gravity range : 0.45 to 0.65
- Accuracy : ± 10 mm
(For level detection with water)
- Repeatability : ± 5 mm
(For level detection with water)
- Operating Differential : 40 mm Max.
(For level detection with water)
- Working pressure : 23 kg/cm² (max.)
- Temperature range : -25 °C to 150 °C
- Contact type : SPDT
- Contact rating : 250 VAC, 5A
125VDC, 0,4 A
(Resistive)
- Terminals : Screw type suitable
for 2.5mm², conductor
size (3 nos. per set
point)
- Wetted parts : SS 316
- Enclosure : Flameproof enclosure
suitable for Gr. IIA &
IIB as per IS:2148-
1981 and
Weatherproof to IP-67
as per IS:13947-1962



H = Change of the liquid
h = Displacement of the displacer = Displacement of the
spring = Change of the coupler position



PRINCIPLE OF OPERATION

A cable attaches the displacer to a coupler inside the sealing pipe, which also acts as a pressure barrier. The coupler rests on the spring housed at the bottom of the sealing pipe. When displacer is out of the liquid, its weight stretches the spring downward and the coupler is out of reach of the field of attraction magnet in the carriage assembly. When level rises, immersion and consequent weight loss of displacer causes the coupler to enter into the magnetic field. The attraction of magnet in the carriage assembly towards the coupler actuates the micro switch to transmit alarm signal.

