



FEATURES

- ❑ Real time indication of tank data.
- ❑ 2 line, 16 character back lit alphanumeric LCD display.
- ❑ Facility to operate servo gauge from tank grade.
- ❑ Optically isolated I/O.
- ❑ Flameproof enclosure.

Tank Side Indicator Controller (TSIC) is a remote indicator which can command servo gauge to perform routine operations. It displays tank data and alarm status at the side of the tank and can give commands to servo gauge with the help of a key-magnet. It does not require external power since power is derived from the servo gauge itself. It is provided with mounting arrangement suitable for 2" pipe.

OPERATION

The Tank Side Indicator Controller is a microprocessor based instrument. It communicates with the servo gauge on a two way two wire RS485 link. It displays level, temperature and other data on the back lit LCD display. Two Hall effect sensors detect insertion of key-magnet into two blind key holes. One keyhole is for "MENU" selection while the other is for "ENTER" command. User can issue commands like displacer up-down, freeze, density measurement, level & interface level measurement and repeatability check etc. Page mode display scheme is employed. Display pages are user selectable. All external connections are surge protected. Signal lines are additionally opto-isolated.

CONSTRUCTION

The enclosure has two compartments viz., electronic compartment & terminal box. One cable entry, 1/2" NPT, is provided in the terminal box. The electronic compartment incorporates magnetic sensors to sense the insertion of the key-magnet. The two compartments are isolated from each other. Two blind holes are provided on right hand side of enclosure for giving commands through key-magnet.

CERTIFICATIONS

Flameproof as per IS 2148-1981 suitable for Group IIA & IIB area.
Cert. No. - CMRI/TC/H669
Dated - 07/05/97 issued by CMRI, Dhanbad.
Cert. No. - R1(1) 136/S.B.Electro-mechanicals/36
Dated 04/12/91 issued by CCE, Nagpur.

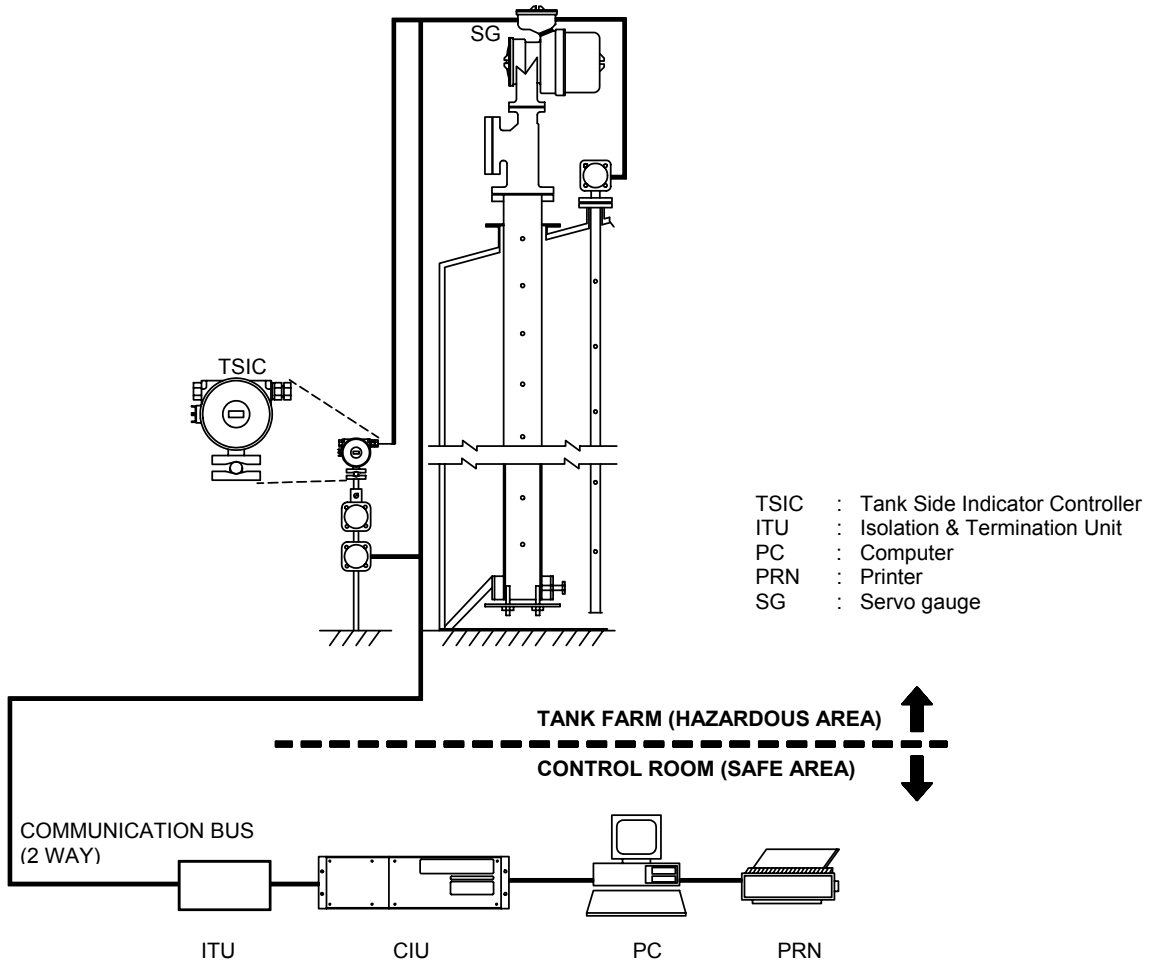


SPECIFICATIONS

- ❑ **Power:**
22 VDC derived from servo gauge.
- ❑ **Communication:**
RS485 link (Up to 1.2 Kms.).
- ❑ **Display:**
1/4", 2 line, 16 character alphanumeric LCD display with back lighting.
- ❑ **Baud Rate:**
1200
- ❑ **Cable:**
4 core 1 mm² copper (2 twisted pairs)
(Up to 1.2 km.), $R_{max} \leq 200 \Omega$, $C_{max} \leq 1\mu F$
- ❑ **Cable Entry:**
1/2" NPT (F) (1 No.)
- ❑ **Operating Conditions:**
Temperature- 0 ° C to 55 ° C
Humidity- 95 % RH.
- ❑ **Enclosure:**
Aluminium alloy LM6, polyurethane painted.
Weatherproof to IP 65 as per IS:2147
- ❑ **Weight:**
4 Kgs. approx.

ACCESSORIES

Key-magnets are given as standard accessory.

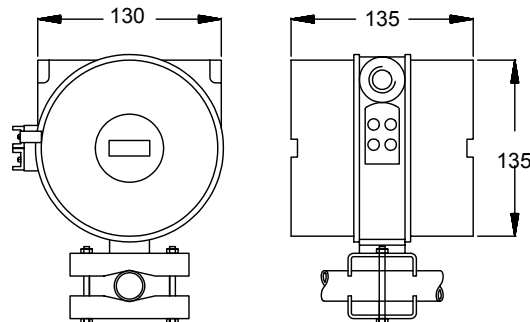


TYPICAL TANK INVENTORY MANAGEMENT SYSTEM

ORDERING CODE

1 3 9 - 7 1 0 0

DIMENSIONS



*** Continuous developments may necessitate various changes without prior notice.

LF-139-0808 Rev.3 (W) 03/99



SBEM Pvt. Ltd.

39, Electronic Co-Operative Estate, Pune-Satara Road, Pune – 411 009 (INDIA)

Tel.: 91-20-4220505, 4223375 Fax – 91-20-4215670

Email: sales@sbem.co.in, sbemsales@vsnl.com, Web: www.sbem-india.com

Works: Bibwewadi Industrial Estate, 691/A/2, Pune-Satara Road, Pune-411 037(India) Email: mfg@sbem.co.in

Office	MUMBAI	CHENNAI	NEW DELHI	VADODARA
Tele.	91-22-2782 3601, 2782 3603	91-44-2445 1235, 2441 2947	91-11-2656 0647, 2696 9679	91-265-233 5196, 235 8184
Fax	91-22-2782 3603	91-44-2441 2947	91-11-2696 9679	91-265-233 0906
E-mail	mumbai@sbem.co.in	chennai@sbem.co.in	newdelhi@sbem.co.in	vadodara@sbem.co.in

