



Displacer Type Level Switch 137-P single / two point

The 137-P is a flameproof top mounted single or two point level switch for use with liquids of density 0.7 to 1.2 Kg/dm³. USAGES : High level alarm for Low density liquids, Petrol, Diesel, Naptha, Kerosene, ATF ect.

This is specially designed for Hazardous area classification as per CCOE norms.

❖ SPECIFICATIONS:

- No. of set points : Single or Two
- Temperature range : 0°C to 150°C
- Output : 2 c/o per set point
- Switch rating : 5A @ 230 VAC (Resistive).
- Terminals : Suitable for 2.5 mm²,
One adjustable differential conductor size.
- Working pressure : 10Kg/cm² (Max.)
- All wetted parts : SS 316.
- Density : 0.7 to 1.2 Kg/dm³

- Enclosure : Weatherproof to IP-67 as per IS:2147-1962. & flameproof enclosure suitable for Gr IIA & IIB as per IS:2148-1981.

❖ OPERATING DIAGRAM

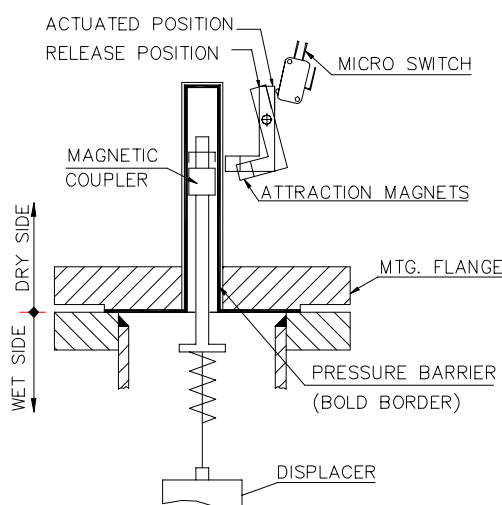


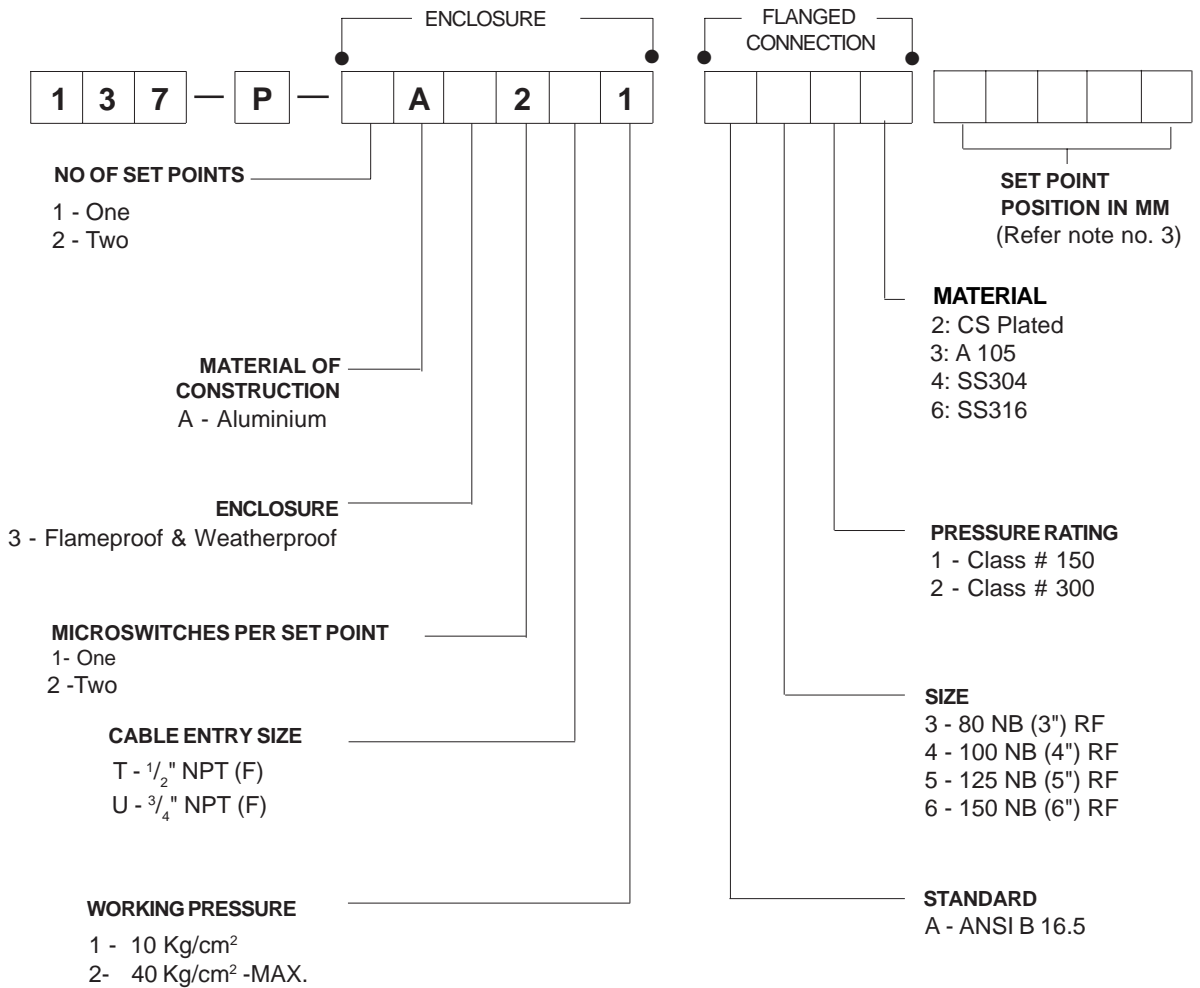
Figure 1



❖ PRINCIPLE OF OPERATION

The displacer is attached to a coupler by a cable inside the sealing pipe which also acts as a pressure barrier. The coupler rests on the compression spring housed at the bottom of the sealing pipe. With displacer in air, its weight compresses the spring downwards and the coupler is out of reach of the field of attraction magnet in the carriage assembly. When level rises, immersion and consequent weight loss of displacer causes the bell coupler to enter into the magnetic field. The attraction of magnet towards the coupler initiates the snap action and consequently operating microswitches. The level sensing mechanism employs attraction and repulsion properties of magnetic circuit. The attraction property senses the level change and repulsion property actuates the microswitch. This prevents contact chattering.

❖ **ORDERING CODE:**



EXAMPLE : Say typical ordering code is 137 - P - 2A32T1 A412 L=00400

The desired switch has following specifications : Cast Aluminium flameproof and weatherproof IP-67 enclosure, Two setpoints with total 2 changeover contacts, viz. 2 microswitch per set point, two 1/2" NPT cable entries, For working pressure 10 Kg/cm² , Process connection 100 NB ANSI 150 # RF CS Plated flange. Effective length 400 mm.

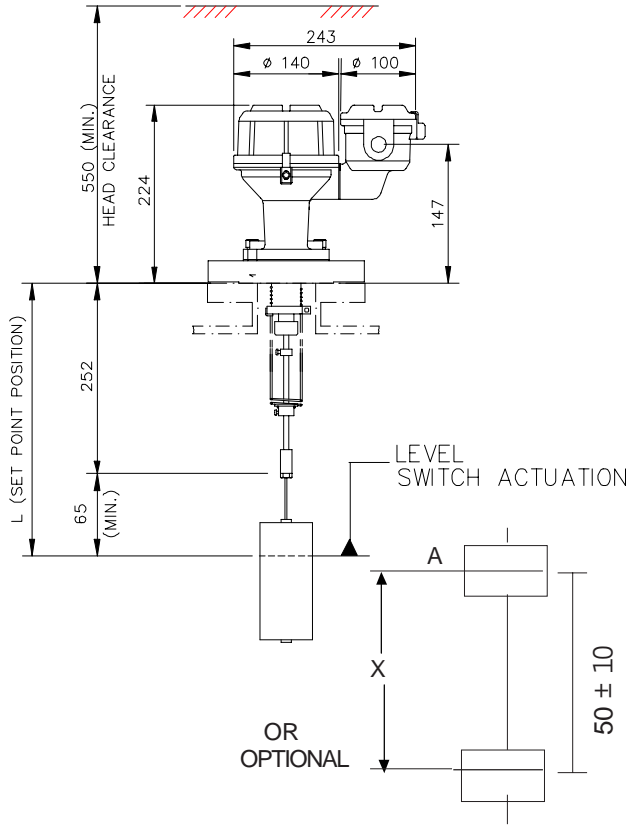
NOTES:

- (1) Stilling pipe is to be perforated with equispaced holes.
- (2) Set point position is the distance of lower set point from the nozzle face (Refer figures on page no 3). The
- (3) length of the cable is computed from this.
- (4) All wetted parts are made of SS316.
- (5) For mounting the switch in the external cage, minimum flange size required is 125 NB (4"). Please note that for direct mounting 80 NB (3") flange is generally not recommended
The minimum gap between two consecutive set points is 150 mm (equal to height of the displacer).

Test certificates ...

- (1) Flameproof - From CMRI, Dhanbad.
CMRI/TC/P/H576. dated 02/06/2000 -For flameproof enclosure.
From CCEOE Nagpur
R1(1) 136/SBEM/36/1 Dated-30/03/2001.

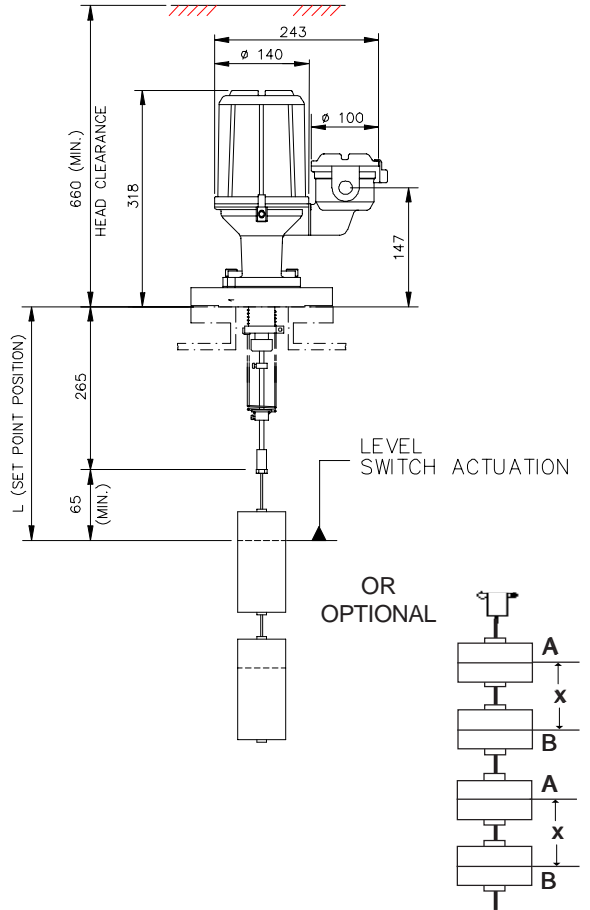
DIMENSIONS :



Standard displacer

Split displacer

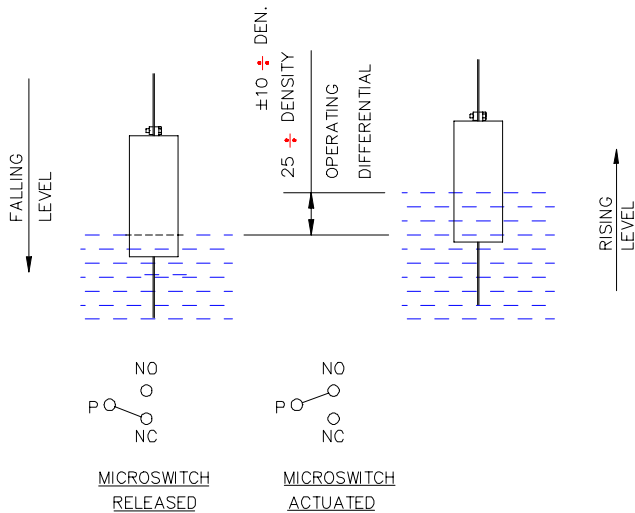
Single Point Switch



standard Displacer

Split displacer

Two Point switch



Sr.No.	No. of set points	Operating differential
1	Single	25 ± 10
2	Two	25 ± 10

* For liquid density = 1 kg/dm³

Note : For Split displacer Min. operating differential 50 ± 10 mm.

Schematic showing operating differential

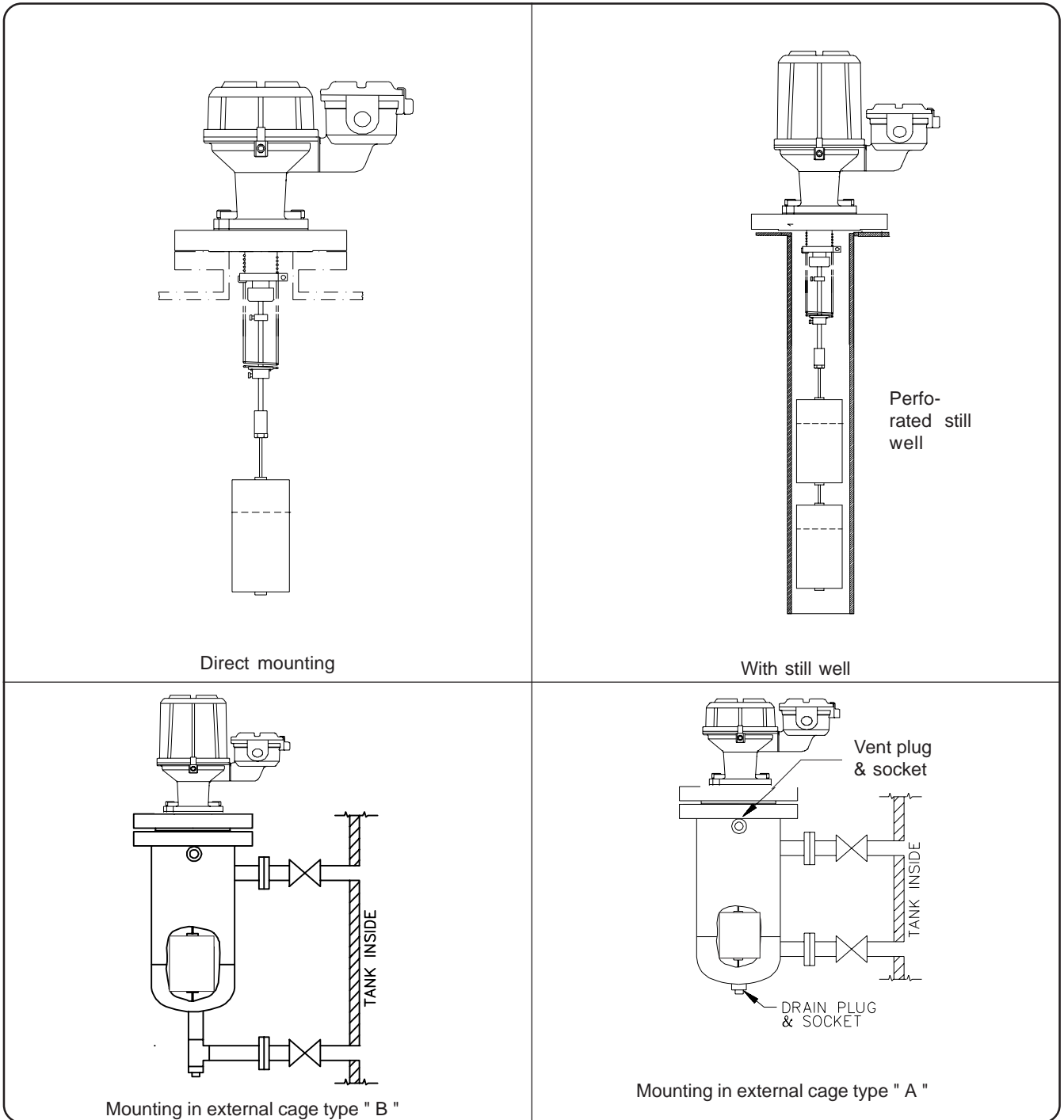
Note : All dimensions are in mm.

❖ **ACCESSORIES:**

Following optional accessories can be supplied on demand ...

- (1) External cage - Type ` A ' & ` B '. The installation in these external cages is as shown in applications drawings.
- (2) Weldable nozzle - to suit the switch mounting flange on the vessel (Please specify nozzle length).
- (3) Weldable flange - suitable flange for preparation of nozzle.

❖ **APPLICATION DRAWINGS:**



*** Continuous developments may necessitate changes without notice.

LF-137-0813 Rev00 10/2005

	SBEM Pvt. Ltd.		
	39, Electronic Co-Operative Estate, Pune-Satara Road, Pune – 411 009 (INDIA) Tel. – 91-20-24220505, 24223375 Fax – 91-20-24215670 Email – sbemsales@sbem.co.in , sbemsales@vsnl.com		
Works : Bibwewadi Industrial Estate, 691/A/2, Pune-Satara Road, Pune-411 037(India) Email : mfg@sbem.co.in			
Office : MUMBAI Tele. : 91-22-27823601, 27823603	CHENNAI 91-44-24451235, 24412947	NEW DELHI 91-11-26560647, 26969679	
Fax : 91-22-27823603 Email : mumbai@sbem.co.in	91-44-24412947 chennai@sbem.co.in	91-11-26969679 newdelhi@sbem.co.in	