



Digital Process Indicator

Series 176

INTRODUCTION:

Digital Process Indicators play an important role in Process Industries. 176 Digital Process Indicators accepts 4-20 mA input. It is a Control Room Instrument and provides Remote Indication of the signal transmitted by SBEM two wire Transmitters such as 103 CLT, 103 HPT, 104 ROF, 104 LOH, 136 ULT, etc.

It is a Microcontroller based programmable Indicator designed for accurate measurement/ control. It has an inbuilt 24 VDC Power Supply that can be used as Transmitter Supply.

SPECIFICATIONS:

- Input: 4 - 20 mA DC
- Optional Relay Output: Upto 4 Nos. Potential free relay contact max upto 2 , rated 5 A
- Optional Current Output: 4 - 20 mA @ 600 E
- Optional MODBUS RTU, RS 232/ RS 485 output.
- Display: 4 Digit, Red LED, 12.5 mm
- Range : Std. - 0 - 100 %
Optional- To be specified by Customer (-1999 to 9999)
- Accuracy: +/- 0.1 % of span, +/- 1 digit
- Power Supply: 110 VAC, +/- 10 %, 50 Hz OR
230 VAC, +/- 10 %, 50 Hz
- Ambient Temperature: 0 to 50° C
- Transmitter Supply: 24 VDC, +/- 0.1 V @ 50 mA
- Dimensions:
Front Fascia (mm) : 96 X 96
Cut out (mm) : 92 X 92
Depth (mm) : 110
- Mounting : Panel Mounting
- Ingress Protection: IP55(For Front Facia only)

APPLICATIONS:

176 Digital Process Indicators can be used for remote indication of level ,flow, etc proportional to the signal transmitted by SBEM transmitters mounted in the field such as 103 CLT-Capacitance level Transmitter, 103 HPT- Hydrostatic Pressure Transmitter, 104 ROF -Rate of Flow Indicator Transmitter, 104 LOH -Loss of Head Indicator Transmitter , 136 ULT - Ultrasonic Level Transmitter, etc.



SPECIFICATIONS:

- Input: 4 - 20 mA DC
- Optional Relay Output: Upto 4 Nos. Potential free relay contact max upto 2 , rated 5 A
- Optional Current Output: 4 - 20 mA @ 600 E
- Optional MODBUS RTU, RS 232/ RS 485 output.
- Display: 4 Digit, Red LED, 12.5 mm
- Range : Std. - 0 - 100 %
Optional- To be specified by Customer (0000 to 9999)
- Accuracy: +/- 0.1 % of span, +/- 1 digit
- Power Supply: 110 VAC, +/- 10 %, 50 Hz OR
230 VAC, +/- 10 %, 50 Hz
- Ambient Temperature: 0 to 50° C
- Transmitter Supply: 24 VDC, +/- 0.1 V @ 50 mA
- Dimensions:

ORDER CODE:

176 -

Type:

9 - Single channel Indicator with 4 - 20 mA input
8 - 2 channel Indicator with 4 - 20 mA inputs (differential)

Output:

0 - Not applicable
1 - 4 - 20 mA current O/P
2 - MODBUS RTU RS 232
3 - MODBUS RTU RS 485
4 - 4 - 20 mA Current O/P + MODBUS RTU RS 232
5 - 4 - 20 mA Current O/P + MODBUS RTU RS 485

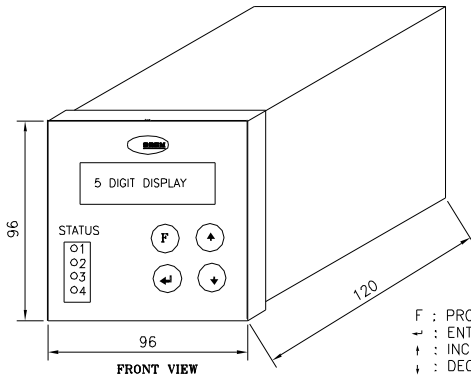
No. Of Set points:

0 - Zero
1 - Two
2 - Four

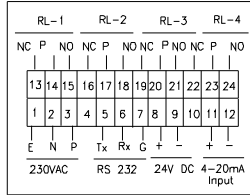
Power Supply:

1 - 110 VAC, 50 Hz
2 - 230 VAC, 50 Hz
3 - 24 VDC

MECHANICAL DIMENSION:



PANEL CUT OUT SIZE : 96 X 96 mm.



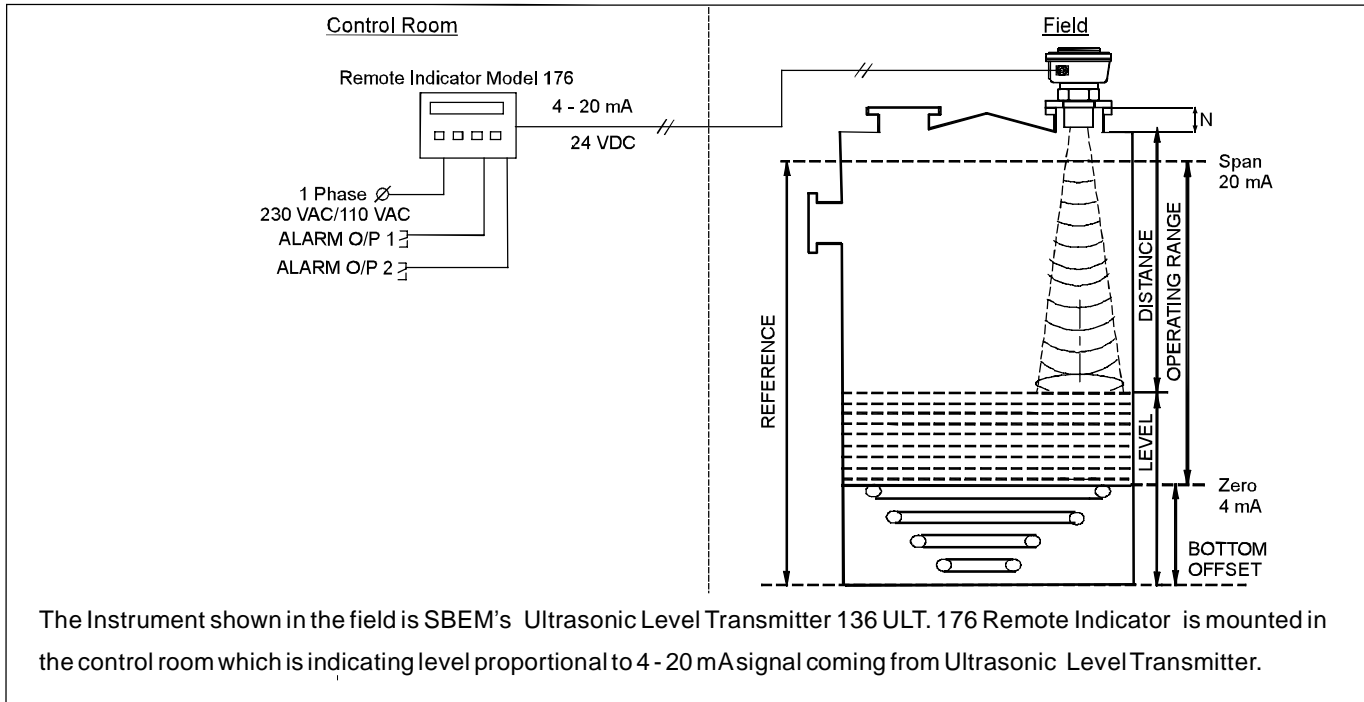
TERMINAL VIEW (BACK SIDE)

F : PROGRAMME KEY
↵ : ENTER KEY
↑ : INCREMENT KEY
↓ : DECREMENT KEY
1-4 : RELAY STATUS LED'S

The Terminal view shown is for Model No. 176 - 9142 i.e., A single channel indicator with 4 - 20 mA input, retransmission current output of 4 - 20 mA, Four C/O relay outputs (Four Set points) and operating on 230 VAC Power Supply.

+ I/P } 4 - 20 mA Input from Transmitter
- I/P }
TX } MODBUS Output
RX }
GND }
24VDC+ } 24VDC Power Supply (Transmitter supply)
24VDC- }
Supply Voltage = 230 VAC

APPLICATION DRAWING (AN EXAMPLE):



Continuous developments may necessitate changes without prior notice

LF-176- 0804 R02 04/2017

LF-DigProcessInd_176



SBEM Pvt. Ltd.

H.O. : 39, Electronic Co-Operative Estate, Pune - 411 009 (India)
Tel. : 91-20-24220505, 24223375 Fax : 91-20-24215670
Email : sbemsales@sbem.co.in, sbemsales@vsnl.com

Web : www.sbem-india.com

Works : Bibwewadi Industrial Estate, 691/A/2, Pune-Satara Road, Pune - 411 037 (India), Email : mfg@sbem.co.in

Office : Mumbai
Tel. : 91-22-27823601 / 03
Fax : 91-22-2782603
Email : sbemho@bom4.vsnl.net.in
mumbai@sbem.co.in

Chennai
Tel. : 91-44-24481235, 24486947
Fax : 91-44-24486947
Email : chennai@sbem.co.in

New Delhi
Tel. : 91-11-26560647, 26969679
Fax : 91-11-26969679
Email : newdelhi@sbem.co.in

Pune & Gujarat
Tel. : 91-20-24220505, 24223375
Fax : 91-20-24215670
Email : pune@sbem.co.in
gujarat@sbem.co.in